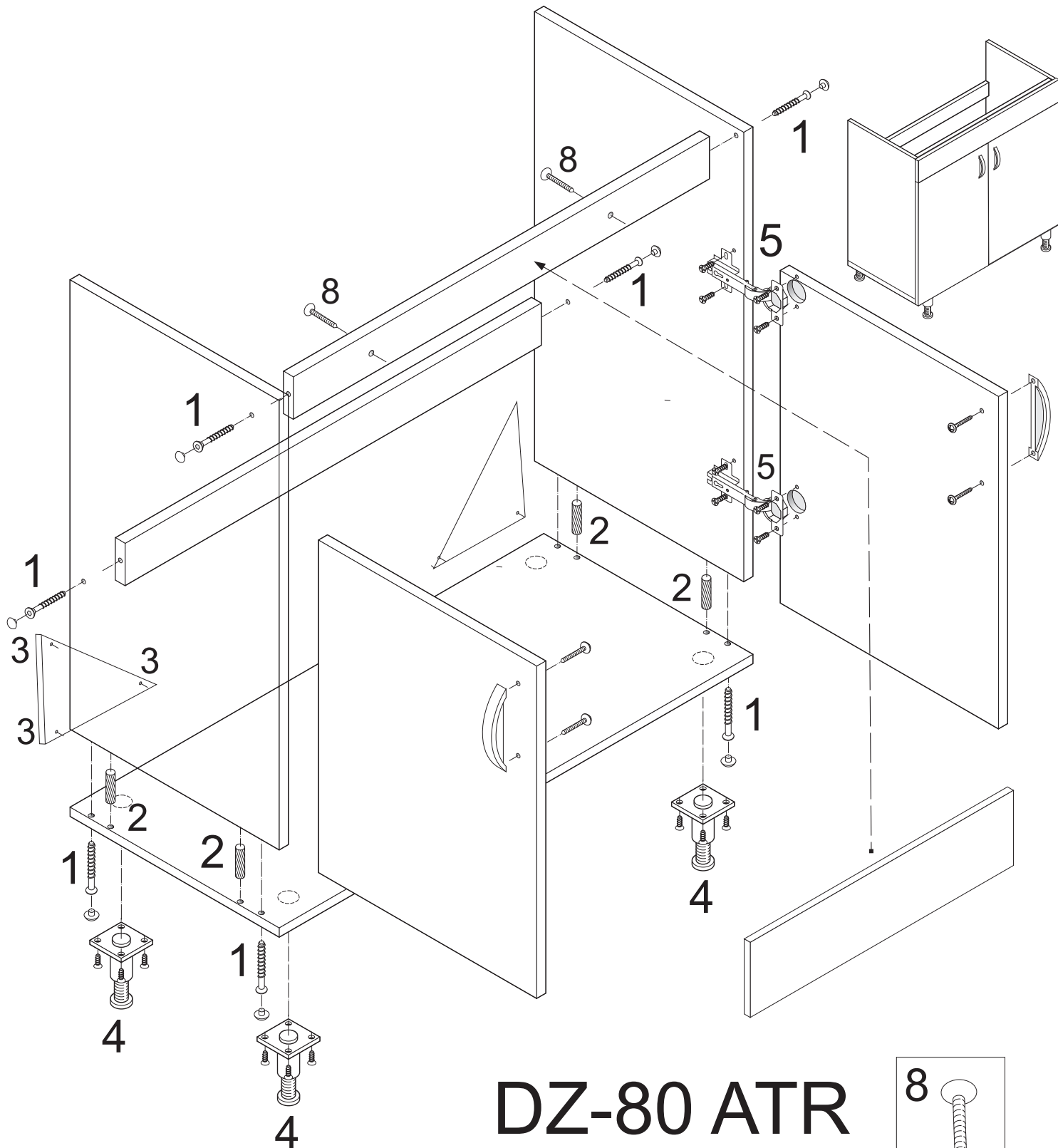
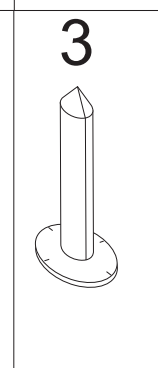
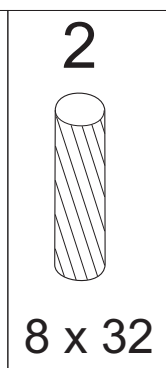
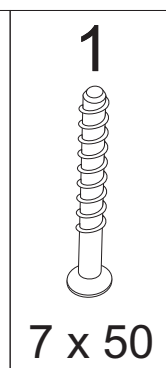
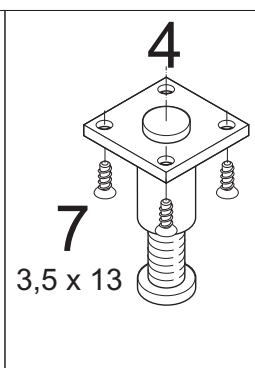
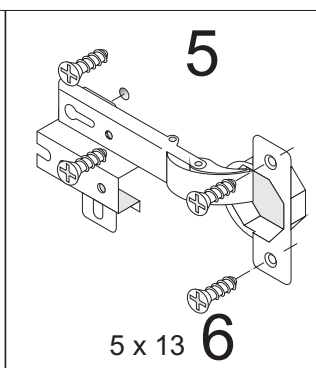
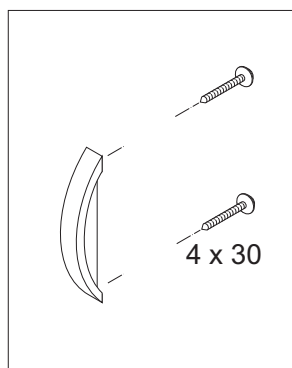
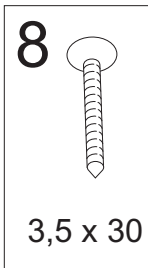


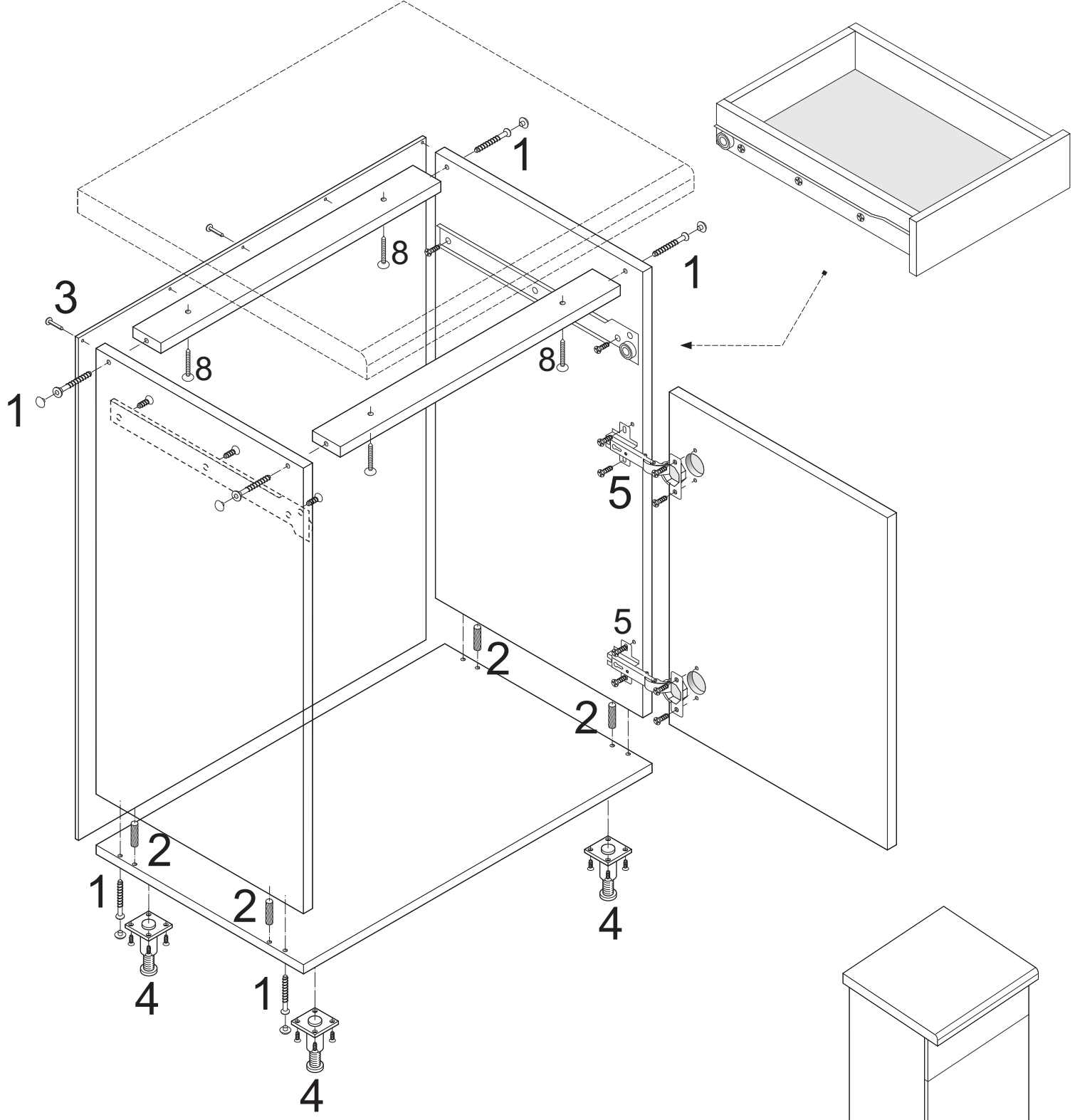
JURA I + JURA I A



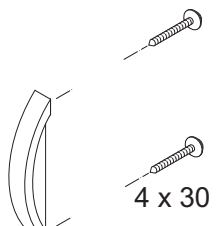
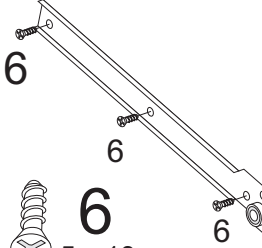
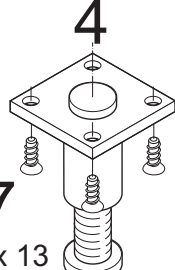
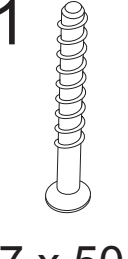
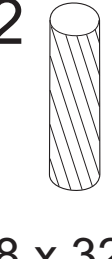
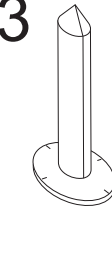
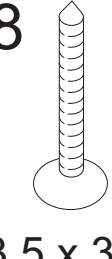


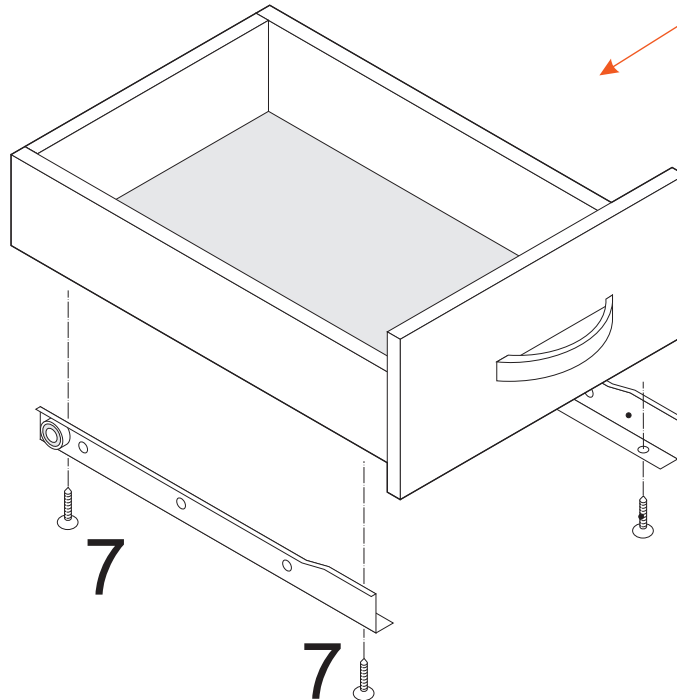
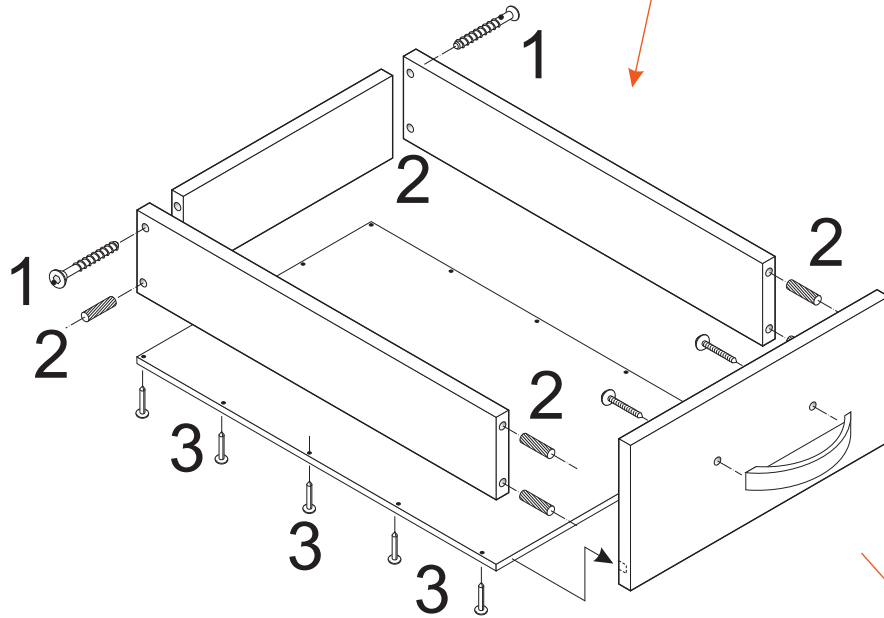
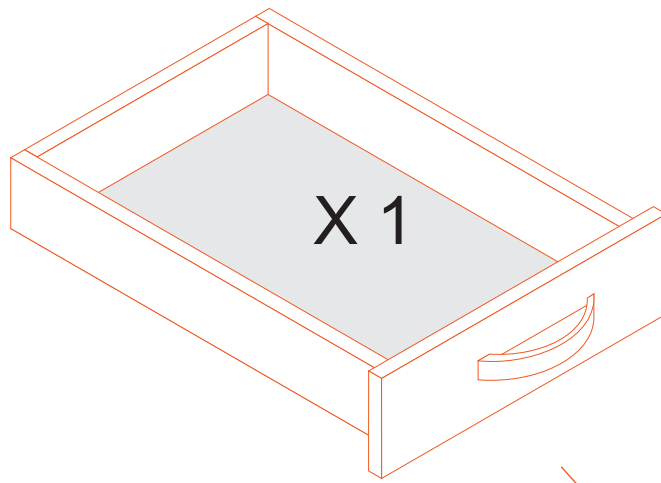
DZ-80 ATR

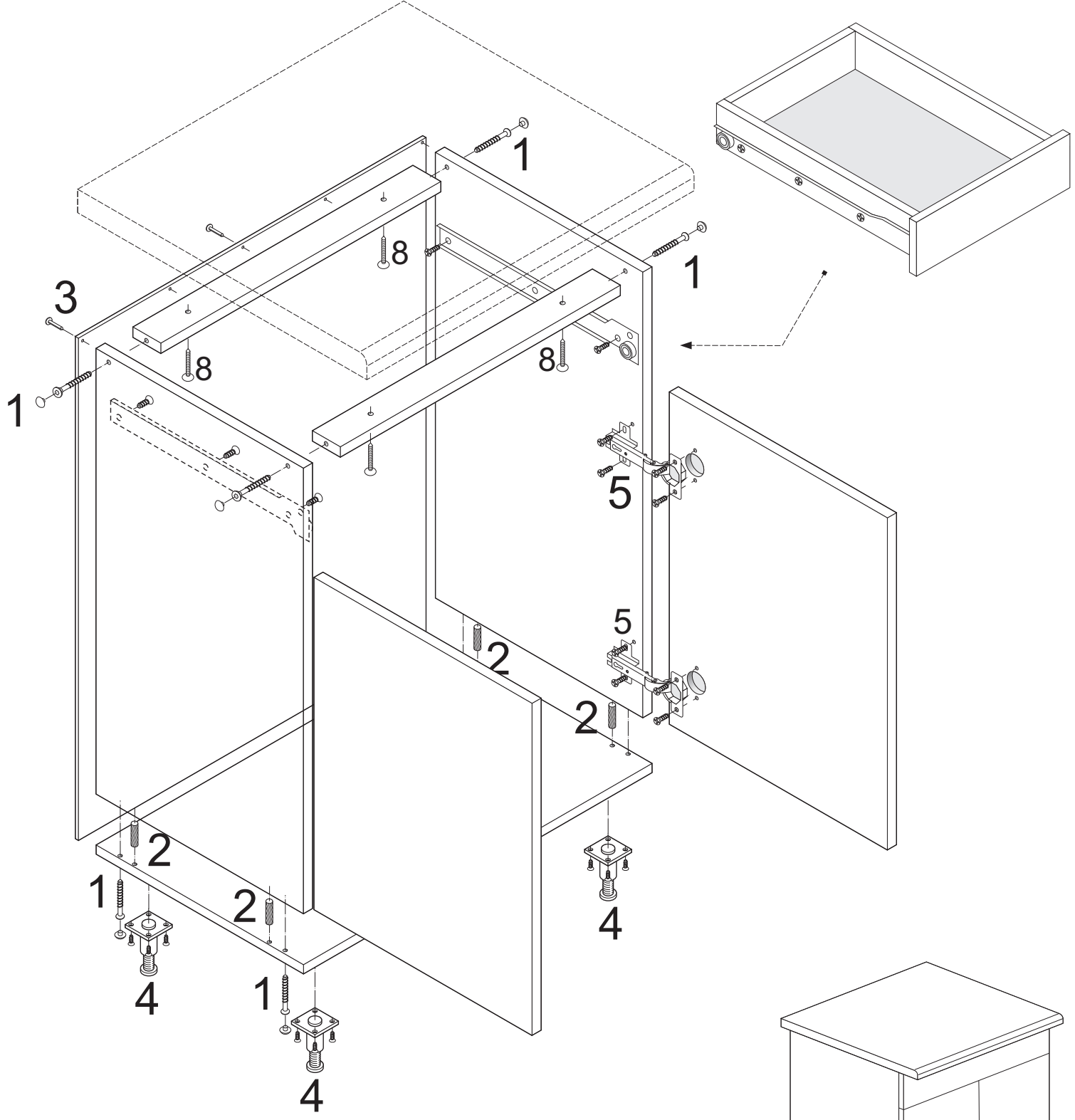




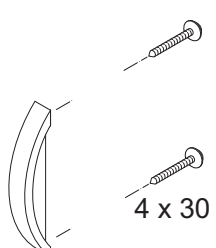
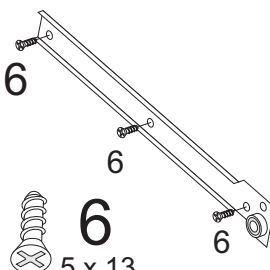
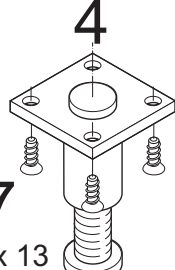
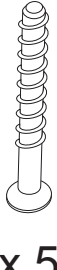
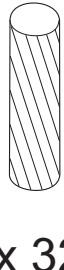
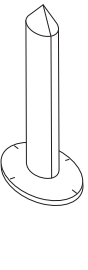
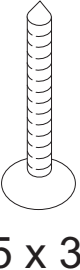
D-40 S1

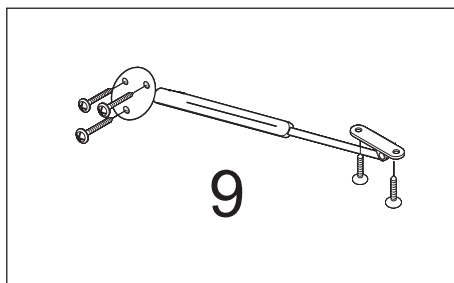
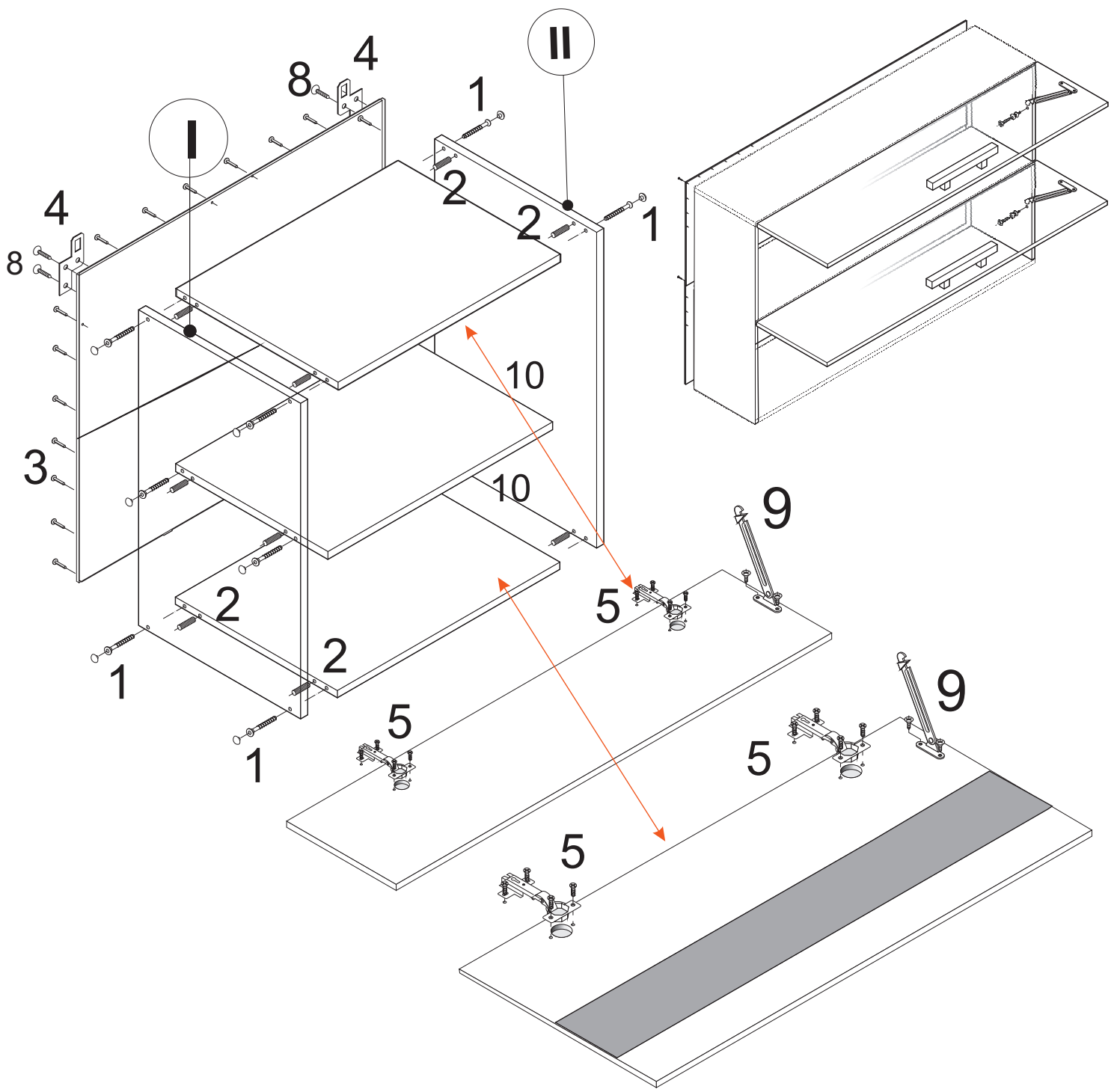
 <p>4 x 30</p>	 <p>6 6 6 5 x 13</p>	 <p>4 7 3,5 x 13</p>	 <p>1 7 x 50</p>	 <p>2 8 x 32</p>	 <p>3</p>	 <p>8 3,5 x 30</p>
--	---	---	--	---	--	---



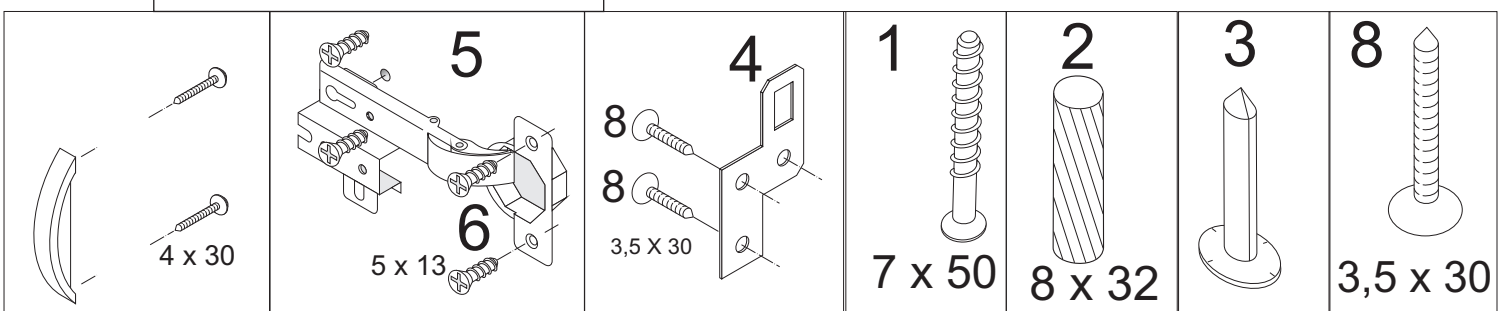


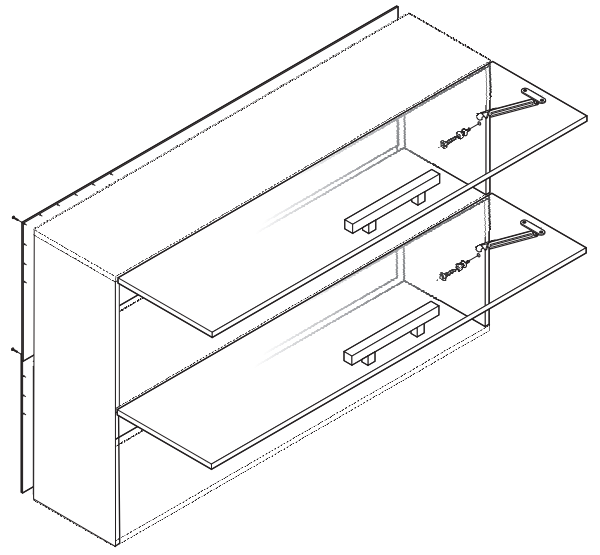
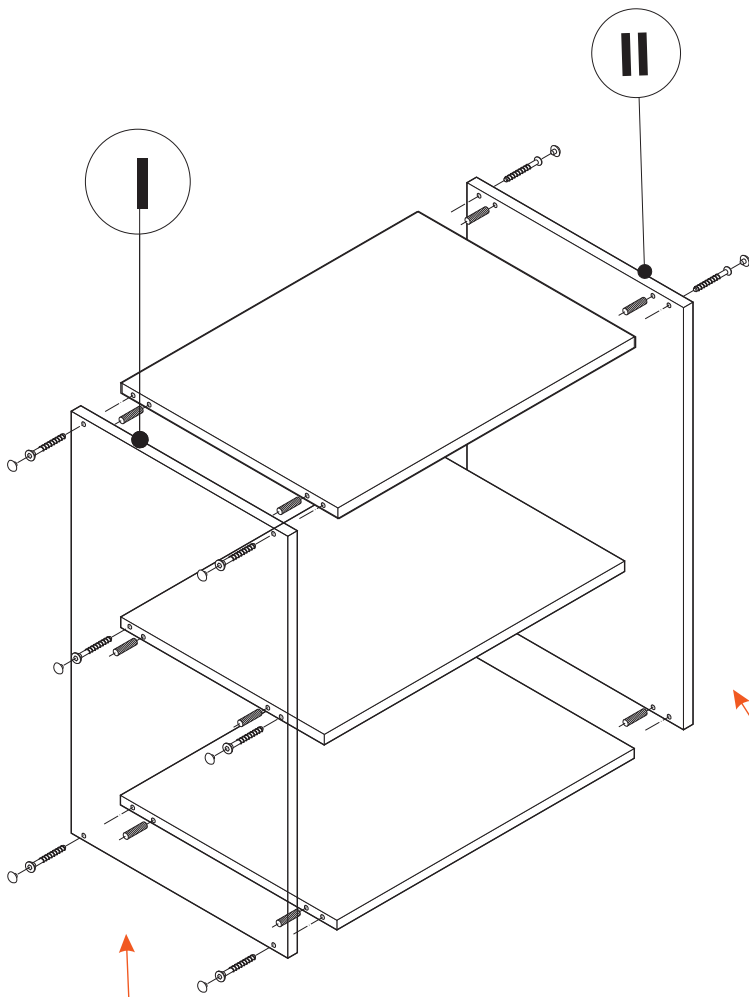
D-80 S1

 <p>4 x 30</p>	 <p>6 6 6 5 x 13</p>	 <p>4 7 3,5 x 13</p>	 <p>1 7 x 50</p>	 <p>2 8 x 32</p>	 <p>3</p>	 <p>8 3,5 x 30</p>
--	---	---	--	---	--	---

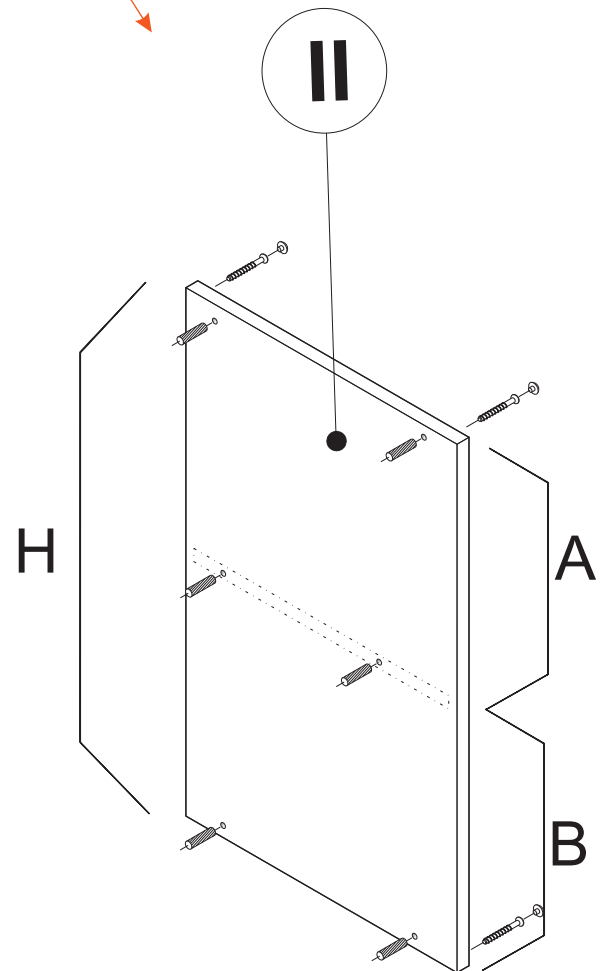
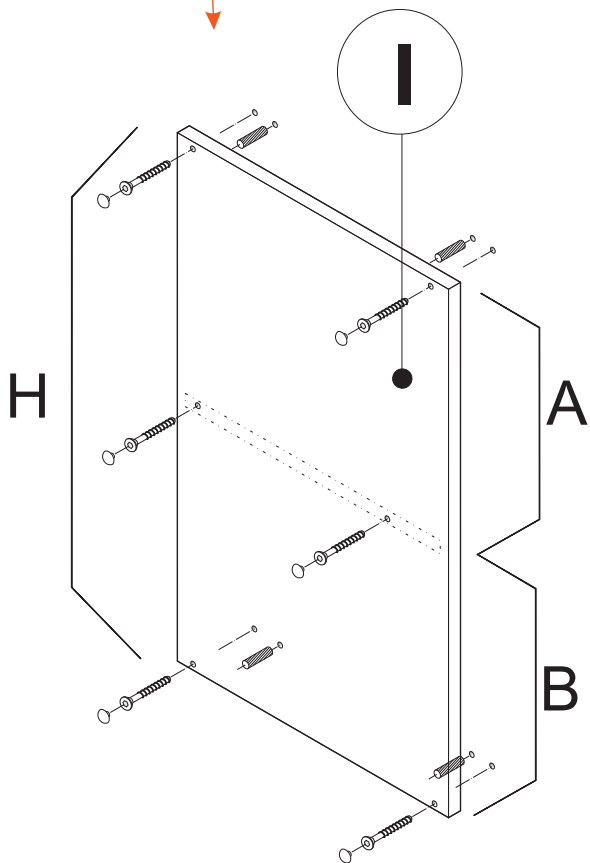


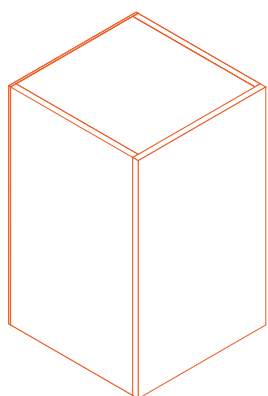
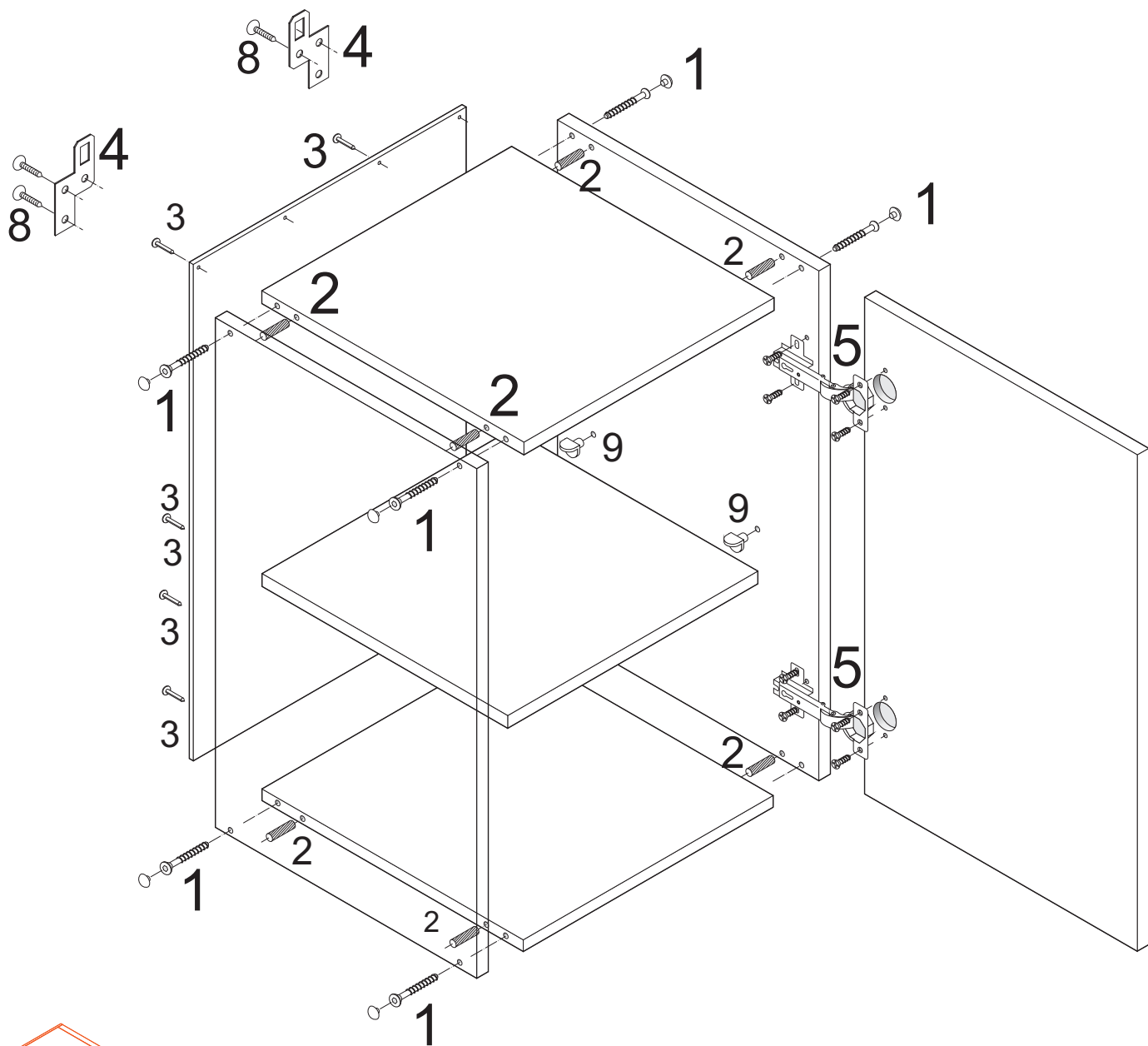
OGW1-80 P..





$A < B$

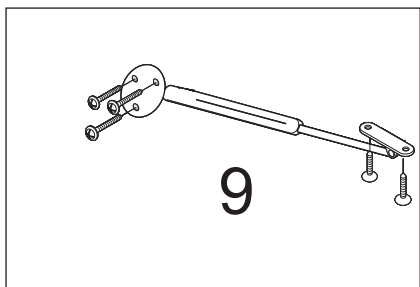
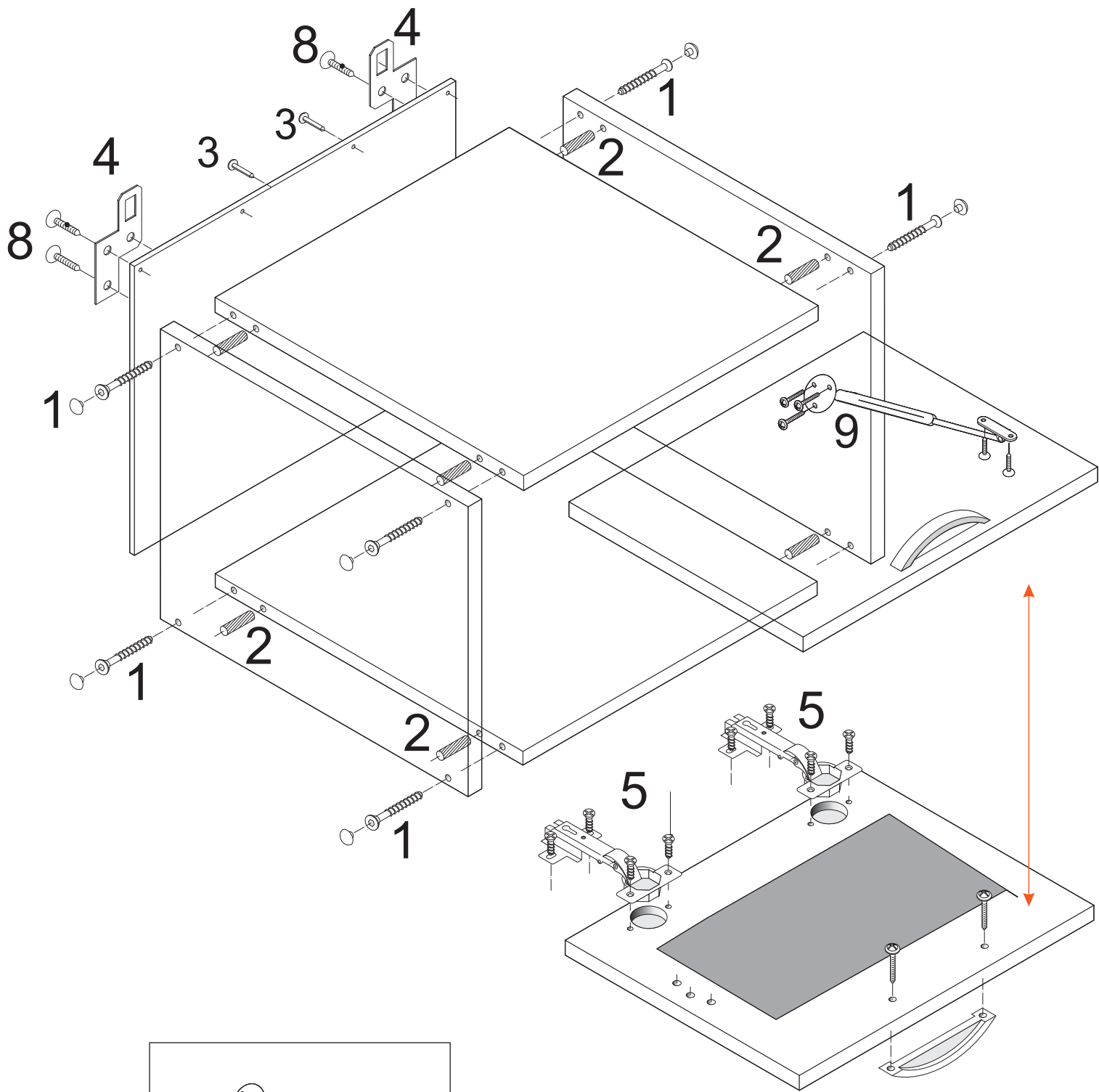




G-40 / 648



<p>4 x 30</p>	<p>5 x 13 6</p>	<p>8 8 3,5 X 30</p>	<p>1 7 x 50</p>	<p>2 8 x 32</p>	<p>3</p>	<p>8 3,5 x 30</p>
---------------	------------------------	---------------------	----------------------------	----------------------------	-----------------	------------------------------



OG-60

<p>4 x 30</p>	<p>5 x 13 6</p>	<p>4</p> <p>8 3,5 X 30</p>	<p>1</p> <p>7 x 50</p>	<p>2</p> <p>8 x 32</p>	<p>3</p>	<p>8</p> <p>3,5 x 30</p>
---------------	------------------------	-----------------------------------	-------------------------------	-------------------------------	-----------------	---------------------------------